

## Plug socket MSSD

**FESTO**



## Characteristics

### Product segmentation



#### Festo Core Range

Solves the majority of your automation tasks

With the Festo Core Range, we have selected the most important products and functions from our broad product catalogue, and added the quickest delivery.

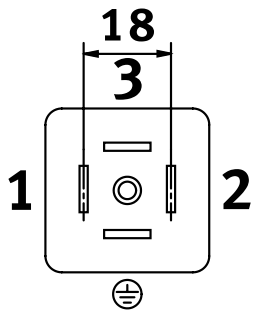
The Core Range offers you the best value with the expected high Festo quality.

Quickest delivery, worldwide – wherever, whenever

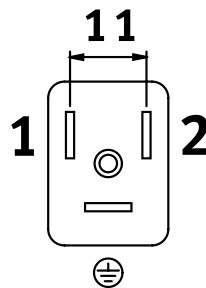
- Expected high Festo quality
- Easy and fast to select

### Electrical connection 1, connection technology

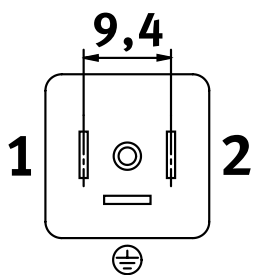
[C] Type A to EN 175301-803



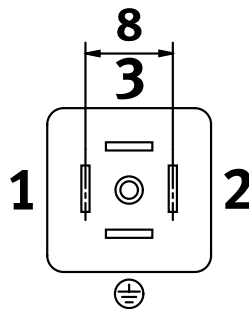
[F] Type B as per industry standard 11 mm



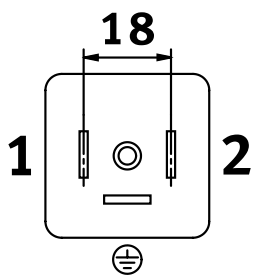
[E] Type C as per industry standard 9.4 mm



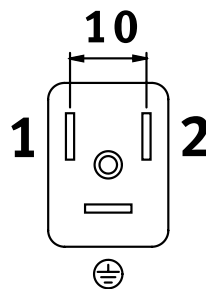
[EB] Type C to EN 175301-803



[N] Type A to EN 175301-803

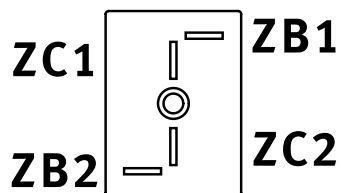


[V] Type B to EN 175301-803



## Characteristics

[ZBZC] Connection pattern ZB/ZC



## Type code

<b>001</b>	<b>Series</b>	
<b>MSSD</b>	Plug socket	

<b>002</b>	<b>Electrical connection 1, connection technology</b>	
<b>C</b>	Type A to EN 175301-803	
<b>F</b>	Type B as per industry standard 11 mm	
<b>E</b>	Type C as per industry standard 9.4 mm	
<b>EB</b>	Type C to EN 175301-803	
<b>N</b>	Type A to EN 175301-803	
<b>V</b>	Type B to EN 175301-803	
<b>ZBZC</b>	Connection pattern ZB/ZC	

<b>003</b>	<b>Electrical connection 1, number of pins/wires</b>	
	Standard	
<b>4P</b>	4-pin	

<b>004</b>	<b>Electrical connection 2, connection technology</b>	
	Standard	
<b>S</b>	Insulation displacement connector	

<b>005</b>	<b>Cable connector</b>	
	Standard	
<b>M12</b>	M12	
<b>M14</b>	M14	
<b>M16</b>	M16	
<b>TY</b>	Pg11	

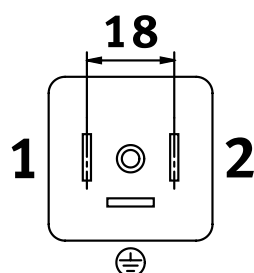
<b>006</b>	<b>Operating voltage range</b>	
	Standard	
<b>24DC</b>	0 ... 30 V DC, 0 ... 24 V AC	
<b>24VDC</b>	0 ... 30 V DC, 0 ... 24 V AC	

<b>007</b>	<b>Version</b>	
	Standard	
<b>SD</b>	Special design	

<b>008</b>	<b>EU certification</b>	
	None	
<b>EX2</b>	II 3GD	

## Datasheet

## General technical data – Electrical connection 1 socket type A according to EN 175301-803, 3-pin



Cable fitting	M16	M20x1.5	Pg 9
Based on standard	–	EN 175301-803	–
Type of mounting	On solenoid valve via M3 central screw	–	On solenoid valve via M3 central screw
Mounting position	optional	–	optional
Protective conductor connection	–	–	Available
Electrical connection	3-pin, Angled socket, Type A, To DIN EN 175301-803, Square design	–	3-pin, Angled socket, Type A, To DIN EN 175301-803, Square design MSC, Square design MSN1
Electrical connection 1, connection type	–	Socket	–
Electrical connection 1, design	–	Angular	–
Electrical connection 1, connector system	–	Plug pattern type A to EN 175301-803	–
Electrical connection 1, number of connections/cores	–	3	–
Electrical connection 1, type of mounting	–	On solenoid valve via M3 central screw	–
Electrical connection 2, connector system	–	Screw terminal	–
Cable outlet	–	Angled	–
Note on cable outlet	–	–	90° rotatable
Frequency of connection	50	–	–
Cable diameter	–	8 ... 10 mm	6 ... 8 mm
Permissible cable diameter	6 ... 8 mm	–	–
Connection cross section	1.5 mm <sup>2</sup>	–	–
Nominal cross section conductor	–	1.5	–

## Technical data – Electrical, Electrical connection 1 socket type A according to EN 175301-803, 3-pin

Cable fitting	M16	M20x1.5	Pg 9
Operational voltage range DC	–	0 ... 24 V	0 ... 300 V
Operational voltage range AC	–	0 ... 250 V	–
Current rating at 40° C	–	16 A	–

## Materials – Electrical connection 1 socket type A to EN 175301-803, 3-pin

Cable fitting	M16	M20x1.5	Pg 9
Material housing	PA-reinforced	–	Polymer
Housing colour	–	Black	–
Material seals	HNBR	VMQ	NBR
Material screws	–	Steel	–
Note on materials	RoHS-compliant	–	–
LABS (PWIS) conformity	VDMA24364-B2-L	VDMA24364 zone III	VDMA24364-B2-L

## Datasheet

### Operating and environmental conditions – Electrical connection 1 socket type A according to EN 175301-803, 3-pin

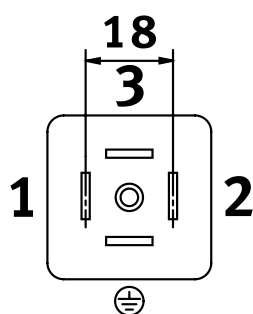
Cable fitting	M16	M20x1.5	Pg 9
Ambient temperature	-20 ... 115°C	-25 ... 80°C	-25 ... 90°C
CE mark (see declaration of conformity) <sup>1)</sup>	–		To EU Low Voltage Directive, In accordance with EU RoHS Directive
CE marking (see declaration of conformity) <sup>2)</sup>	–		To UK RoHS instructions, To UK regulations for electrical equipment
Degree of protection	IP65, To IEC 60529	IP65	
Note on degree of protection	–		In assembled state
Maritime classification <sup>3)</sup>	–		See certificate

1) More information [www.festo.com/catalogue/...](http://www.festo.com/catalogue/...) Support/Downloads.

2) More information [www.festo.com/catalogue/...](http://www.festo.com/catalogue/...) Support/Downloads.

3) More information [www.festo.com/catalogue/...](http://www.festo.com/catalogue/...) Support/Downloads.

### General technical data – Electrical connection 1, socket type A to EN 175301-803, 4-pin



Nominal cross section conductor	0.5 ... 1 mm <sup>2</sup>	≤1.5 mm <sup>2</sup>
Type of mounting	On solenoid valve via M3 central screw	
Mounting position	optional	
Electrical connection	4-pin, Socket, Type A	3-pin, Angled socket, Type A, To DIN EN 175301-803, Square design MSC, Square design MSN1
Frequency of connection	10	–
Cable diameter	5.5 ... 8 mm	6 ... 8 mm
Cable fitting	–	Pg 9

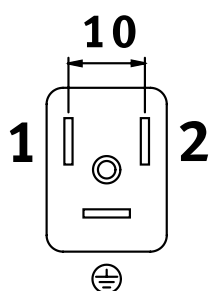
### Materials – Electrical connection 1 socket type A according to EN 175301-803, 4-pin

Nominal cross section conductor	0.5 ... 1 mm <sup>2</sup>	≤1.5 mm <sup>2</sup>
Material housing	PA	Polymer
Housing colour	Black	
Note on materials	–	RoHS-compliant

### Operating and environmental conditions – Electrical connection 1 socket type A according to EN 175301-803, 4-pin

Nominal cross section conductor	0.5 ... 1 mm <sup>2</sup>	≤1.5 mm <sup>2</sup>
Ambient temperature	-25 ... 90°C	
Degree of protection	IP67, To IEC 60529	IP65

## Datasheet

**General technical data – Electrical connection, 1 socket type B to EN 175301-803**


Cable fitting	M16	Pg 9
Type of mounting	On solenoid valve via M3 central screw	
Mounting position	optional	
Electrical connection	3-pin, Angled socket, Type B, To DIN EN 175301-803, Square design	3-pin, Socket, Angled socket, Type B, To DIN EN 175301-803, Square design MSV
Frequency of connection	50	–
Cable diameter	–	6 ... 8 mm
Permissible cable diameter	6 ... 8 mm	–
Connection cross section	0.75 mm <sup>2</sup>	–
Nominal cross section conductor	–	≤1.5 mm <sup>2</sup>
Cable outlet	–	Angled
Note on cable outlet	–	180° rotatable
Protective conductor connection	–	Available

**Materials – Electrical connection 1 socket type B according to EN 175301-803**

Cable fitting	M16	Pg 9
Material housing	PA-reinforced	Polymer
Housing colour	–	Black
Material seals	HNBR	NBR
LABS (PWIS) conformity	VDMA24364-B2-L	

**Operating and environmental conditions – Electrical connection 1 socket type B to EN 175301-803**

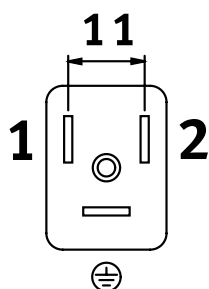
Cable fitting	M16	Pg 9
Ambient temperature	-20 ... 115°C	-25 ... 90°C
CE mark (see declaration of conformity) <sup>1)</sup>	–	To EU Low Voltage Directive, In accordance with EU RoHS Directive
CE marking (see declaration of conformity) <sup>2)</sup>	–	To UK RoHS instructions, To UK regulations for electrical equipment
Degree of protection	IP65, To IEC 60529	IP65
Note on degree of protection	–	In assembled state

 1) More information [www.festo.com/catalogue/...](http://www.festo.com/catalogue/...) Support/Downloads.

 2) More information [www.festo.com/catalogue/...](http://www.festo.com/catalogue/...) Support/Downloads.

## Datasheet

### General technical data – Electrical connection 1 socket type B industry standard 11 mm



Nominal cross section conductor	≤0.75 mm <sup>2</sup>	≤1.5 mm <sup>2</sup>
Type of mounting	–	On solenoid valve via M3 central screw
Protective conductor connection	Available	
Electrical connection 1, type of mounting	On solenoid valve via M3 central screw	–
Mounting position	–	optional
Electrical connection	–	3-pin, Angled socket, Square design MSF
Electrical connection 1, connection type	Socket	
Electrical connection 1, design	Angular	
Electrical connection 1, connector system	Plug pattern type B to industry standard, 11 mm	–
Electrical connection 1, number of connections/cores	3	
Electrical connection 2, connector system	Screw terminal	–
Cable outlet	Angled	
Note on cable outlet	180° rotatable	
Cable fitting	M16x1.5	Pg 9
Frequency of connection	50	–
Cable diameter	6 ... 8 mm	

### Technical data – Electrical, electrical connection 1 socket type B industry standard 11 mm

Nominal cross section conductor	≤0.75 mm <sup>2</sup>	≤1.5 mm <sup>2</sup>
Operational voltage range DC	0 ... 250 V	
Operational voltage range AC	0 ... 250 V	
Immunity to surge	2 kV	–
Current rating at 40° C	6 A	16 A

### Materials – Electrical connection 1 socket type B industry standard 11 mm

Nominal cross section conductor	≤0.75 mm <sup>2</sup>	≤1.5 mm <sup>2</sup>
Material housing	PA-reinforced	Polymer
Housing colour	Black	
Material seals	HNBR	NBR
Note on materials	RoHS-compliant	–
LABS (PWS) conformity	VDMA24364-B2-L	



## Datasheet

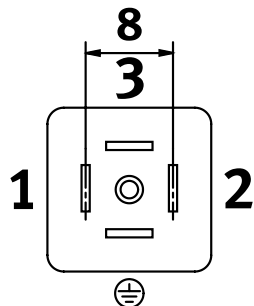
**Operating and environmental conditions – Electrical connection 1 socket type B industry standard 11 mm**

Nominal cross section conductor	≤0.75 mm <sup>2</sup>	≤1.5 mm <sup>2</sup>
Ambient temperature	-20 ... 115°C	-25 ... 90°C
Corrosion resistance class CRC <sup>1)</sup>	1 - Low corrosion stress	–
Pollution degree	3	–
CE mark (see declaration of conformity) <sup>2)</sup>	–	To EU Low Voltage Directive, In accordance with EU RoHS Directive
CE marking (see declaration of conformity) <sup>3)</sup>	–	To UK RoHS instructions, To UK regulations for electrical equipment
Degree of protection	IP65	
Note on degree of protection	In assembled state	

1) More information [www.festo.com/x/topic/crc](http://www.festo.com/x/topic/crc)2) More information [www.festo.com/catalogue/... Support/Downloads](http://www.festo.com/catalogue/... Support/Downloads).3) More information [www.festo.com/catalogue/... Support/Downloads](http://www.festo.com/catalogue/... Support/Downloads).

## Datasheet

### General technical data – Electrical connection 1 socket type C according to EN 175301-803, 3-pin



Connection cross section	0.25 ... 0.5 mm <sup>2</sup>	0.75 mm <sup>2</sup>	1.5 mm <sup>2</sup>
Based on standard	EN 175301-803	–	–
Conforms to standard	EN 61984	–	–
Type of mounting	–	On solenoid valve via M2.5 central screw	
Mounting position	–	optional	
Protective conductor connection	Available		–
Electrical connection	–	3-pin, Socket, Angled socket, Type C, To DIN EN 175301-803, To DIN EN 61984, Square design MSEB, Square design MSN2	3-pin, Angled socket, Type C, To DIN EN 175301-803, Square design
Electrical connection 1, function	Field device side	–	
Electrical connection 1, connector system	Plug pattern type C to EN 175301-803	–	
Electrical connection 1, connection type	Socket	–	
Electrical connection 1, cable outlet	Angled	–	
Electrical connection 1, design	Angular	–	
Electrical connection 1, number of connections/cores	3	–	
Electrical connection 1, used connections/cores	3	–	
Electrical connection 1, type of mounting	On solenoid valve via M2.5 central screw	–	
Electrical connection 1, tightening torque	0.4 Nm	0.25 Nm	–
Electrical connection 1, tolerance for tightening torque	± 25%	–	
Electrical connection 2	–	Screw terminal	–
Electrical connection 2, function	Controller side	–	
Electrical connection 2, connector system	Screw terminal	–	
Electrical connection 2, number of connections/cores	3	–	
Electrical connection 2, used connections/cores	3	–	
Electrical connection 2, tightening torque	0.25 Nm	–	
Electrical connection 2, tolerance for tightening torque	± 20%	–	
Frequency of connection	50	–	50
Cable diameter	–	6 ... 8 mm	–
Permissible cable diameter	4 ... 6 mm	7.5 mm	4 ... 6 mm
Cable fitting	M12x1.5	Pg7	M12
Nominal cross section conductor	–	≤0.75 mm <sup>2</sup>	–
Cable outlet	Angled	–	
Note on cable outlet	90° rotatable	–	

## Datasheet

**Technical data – Electrical, electrical connection 1 socket type C to EN 175301-803, 3-pin**

Connection cross section	0.25 ... 0.5 mm <sup>2</sup>	0.75 mm <sup>2</sup>	1.5 mm <sup>2</sup>
Nominal operating voltage DC	–		
Operational voltage range DC	0 ... 30 V	0 ... 300 V	–
Nominal operating voltage AC	–		
Operational voltage range AC	0 ... 24 V	0 ... 250 V	–
Immunity to surge	0.8 kV	4 kV	–
Permissible current load	–	6 A	–
Current rating at 40° C	6 A	–	

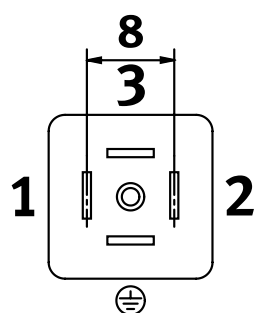
**Materials – Electrical connection 1 socket type C to EN 175301-803, 3-pin**

Connection cross section	0.25 ... 0.5 mm <sup>2</sup>	0.75 mm <sup>2</sup>	1.5 mm <sup>2</sup>
Material housing	PA-reinforced	Polymer	PA-reinforced
Housing colour	Black		
Material seals	HNBR	NBR	HNBR
Material electrical contact	Brass, tin-plated	–	
Note on materials	RoHS-compliant		
LABS (PWIS) conformity	VDMA24364-B2-L		

**Operating and ambient conditions – Electrical connection 1 socket type C to EN 175301-803, 3-pin**

Connection cross section	0.25 ... 0.5 mm <sup>2</sup>	0.75 mm <sup>2</sup>	1.5 mm <sup>2</sup>
Ambient temperature	-25 ... 125°C	-45 ... 90°C	-40 ... 125°C
Corrosion resistance class CRC	2 - Moderate corrosion stress		
CE mark (see declaration of conformity) <sup>1)</sup>	–	To EU Low Voltage Directive, In accordance with EU RoHS Directive	–
CE marking (see declaration of conformity)	–	To UK RoHS instructions, To UK regulations for electrical equipment	–
Pollution degree	3		–
Note on the contamination level	In mounted state	–	
Degree of protection	IP65, To IEC 60529		
Note on degree of protection	In assembled state	–	

1) More information [www.festo.com/catalogue/... Support/Downloads](http://www.festo.com/catalogue/... Support/Downloads).

**General technical data – Electrical connection 1 socket type C in accordance with EN 175301-803, 4-pin**


Type of mounting	On solenoid valve via M2.5 central screw
Mounting position	optional
Electrical connection	4-pin, Socket, Type C
Cable diameter	4 ... 6 mm
Nominal cross section conductor	0.25 ... 0.5 mm <sup>2</sup>
Frequency of connection	10

**Materials – Electrical connection 1 socket type C in accordance with EN 175301-803, 4-pin**

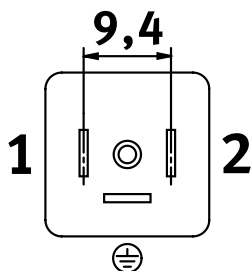
Material housing	PA
Housing colour	Black

## Datasheet

### Operating and environmental conditions – Electrical connection 1, socket type C to EN 175301-803, 4-pin

Ambient temperature	-25 ... 90°C	
Degree of protection	IP67, To IEC 60529	

### General technical data – Electrical connection 1 socket type C industry standard 9.4 mm



Cable fitting	M12	Pg7
Type of mounting	On solenoid valve via M3 central screw	
Mounting position	optional	
Electrical connection 1	Angled socket, square design, 3-pin, type C	
Electrical connection 2	Screw terminal	
Frequency of connection	50	–
Cable diameter	–	6 ... 8 mm
Permissible cable diameter	4 ... 6 mm	–
Connection cross section	0.75 mm <sup>2</sup>	

### Technical data – Electrical, electrical connection 1 socket type C industrial standard 9.4 mm

Cable fitting	M12	Pg7
Operational voltage range DC	0 ... 300 V	
Operational voltage range AC	0 ... 250 V	
Current rating at 40° C	6 A	

### Materials – Electrical connection 1 socket type C industry standard 9.4 mm

Cable fitting	M12	Pg7
Material housing	PA-reinforced	
Housing colour	Black	
Material seals	HNBR	NBR
Note on materials	RoHS-compliant	

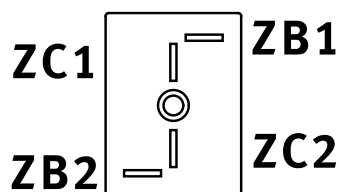
### Operating and environmental conditions – Electrical connection 1 socket type C industry standard 9.4 mm

Cable fitting	M12	Pg7
Ambient temperature	-20 ... 115°C	-25 ... 90°C
Corrosion resistance class CRC <sup>1)</sup>	1 - Low corrosion stress	–
Pollution degree	3	
Degree of protection	IP65, To IEC 60529	IP65

1) More information [www.festo.com/x/topic/crc](http://www.festo.com/x/topic/crc)

## Datasheet

## General technical data – Electrical connection 1 socket plug pattern ZB/ZC



Type of mounting	On solenoid valve via self-tapping screw
Mounting position	optional
Electrical connection	Socket
Nominal cross section conductor	0.22 ... 0.34 mm <sup>2</sup>

## Technical data – Electrical, electrical connection 1 socket plug pattern ZB/ZC

Nominal operating voltage DC	24 V
Operational voltage range DC	3 ... 36 V

## Materials – Electrical connection 1 socket plug pattern ZB/ZC

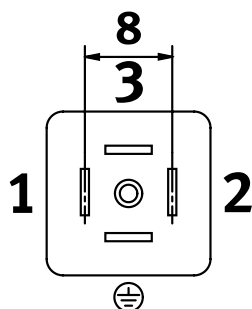
Material housing	PA
Note on materials	RoHS-compliant

## Operating and environmental conditions – Electrical connection 1 socket plug pattern ZB/ZC

Ambient temperature	-10 ... 50°C
Corrosion resistance class CRC <sup>1)</sup>	1 - Low corrosion stress
Degree of protection	IP50
Maritime classification	See certificate

1) More information [www.festo.com/x/topic/crc](http://www.festo.com/x/topic/crc)

## General technical data – Adapters



Based on standard	EN 175301-803, EN 61076-2-101, EN 61984
Switching position indicator	LED
Type of mounting	On solenoid valve via M2.5 central screw
Electrical connection 1	Socket, to EN 175301-803, type C
Electrical connection 2	Straight plug connector, M12x1, 2-pin, A-coded

## Datasheet

### Technical data – Electrical, adapter

Nominal operating voltage DC	24 V
Operational voltage range DC	12 ... 24 V
Operational voltage range AC	12 ... 24 V
Immunity to surge	2.5 kV
Permissible current load	0.12 A

### Materials – Adapter

Material housing	PA
Housing colour	Transparent
Material screw-type lock	Nickel-plated steel
Material seals	HNBR, NBR
Material electrical contact	Silver-plated copper alloy, Gold-plated brass

### Operating and environmental conditions – Adapter

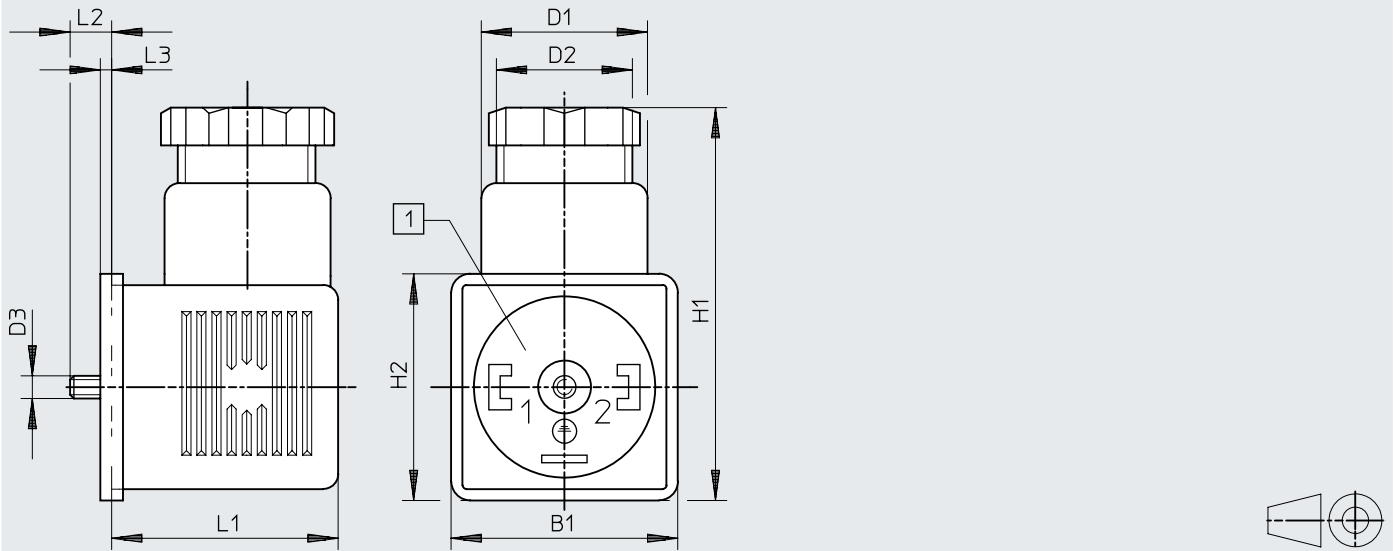
Ambient temperature	-10 ... 50°C
Corrosion resistance class CRC <sup>1)</sup>	2 - Moderate corrosion stress
Pollution degree	3
Degree of protection	IP65
LABS (PWIS) conformity	VDMA24364-B2-L

1) More information [www.festo.com/x/topic/crc](http://www.festo.com/x/topic/crc)

## Dimensions

### Dimensions – Plug socket MSSD-C, 3-pin

Download CAD data [www.festo.com](http://www.festo.com)



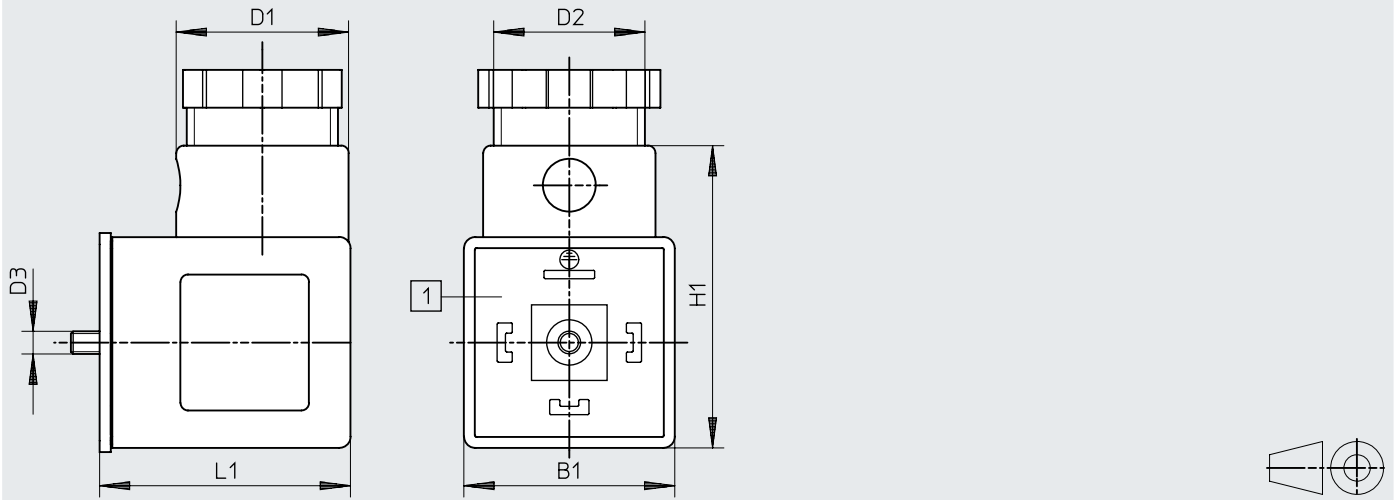
[1] Insert can be rotated 90°

	B1	D1 ∅	D2 ∅	D3 ∅	H1	H2	L1	L2	L3
MSSD-C	28	22	PG9	M3	52	28	26,5	5,5	1,5
MSSD-C-M16	27	22	M16x 1,5	M3	52	27	27	5,5	1,5
MSSD-C-TY-24DC	30	22	PG11	M3	52	30	30	5,5	1,5

## Dimensions

Dimensions – Plug socket MSSD-N, 3-pin

Download CAD data [www.festo.com](http://www.festo.com)



[1] Plug pattern type A to EN 175301-803

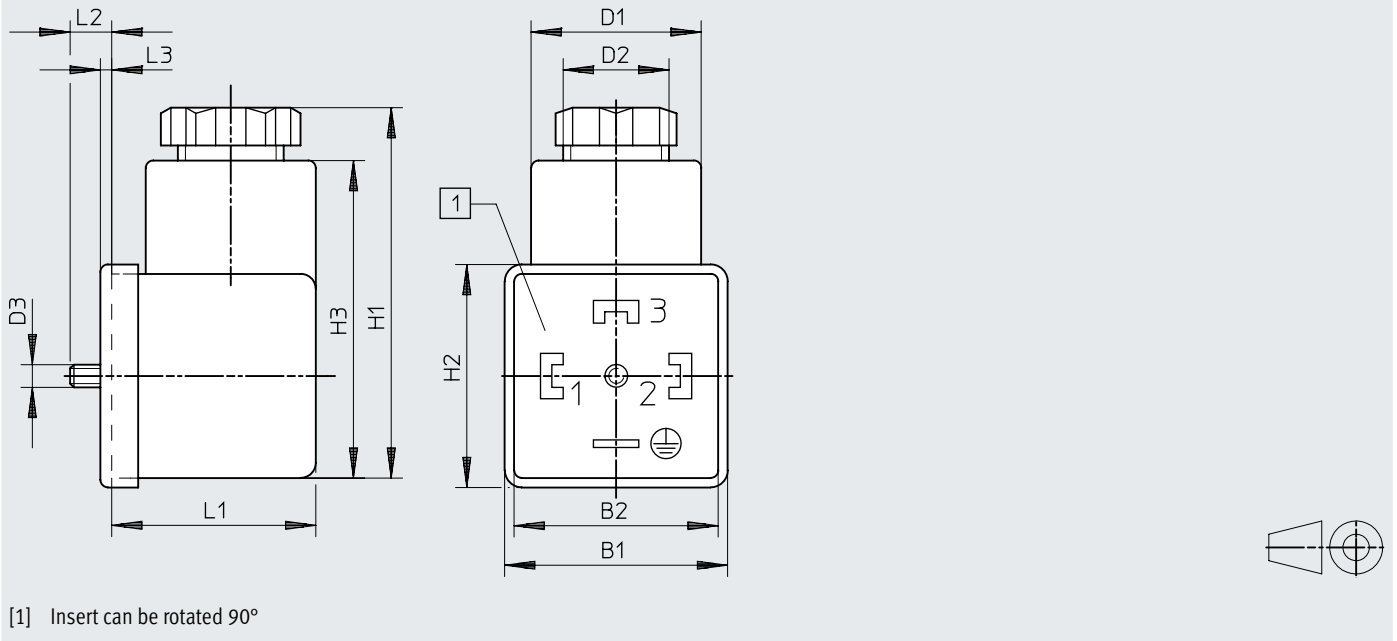
	B1	D1 ∅	D2 ∅	D3 ∅	H1	L1
MSSD-N	27,9	22,8	M20x1,5	M3	40	33,2



## Dimensions

### Dimensions – Plug socket MSSD-C, 4-pin

Download CAD data [www.festo.com](http://www.festo.com)

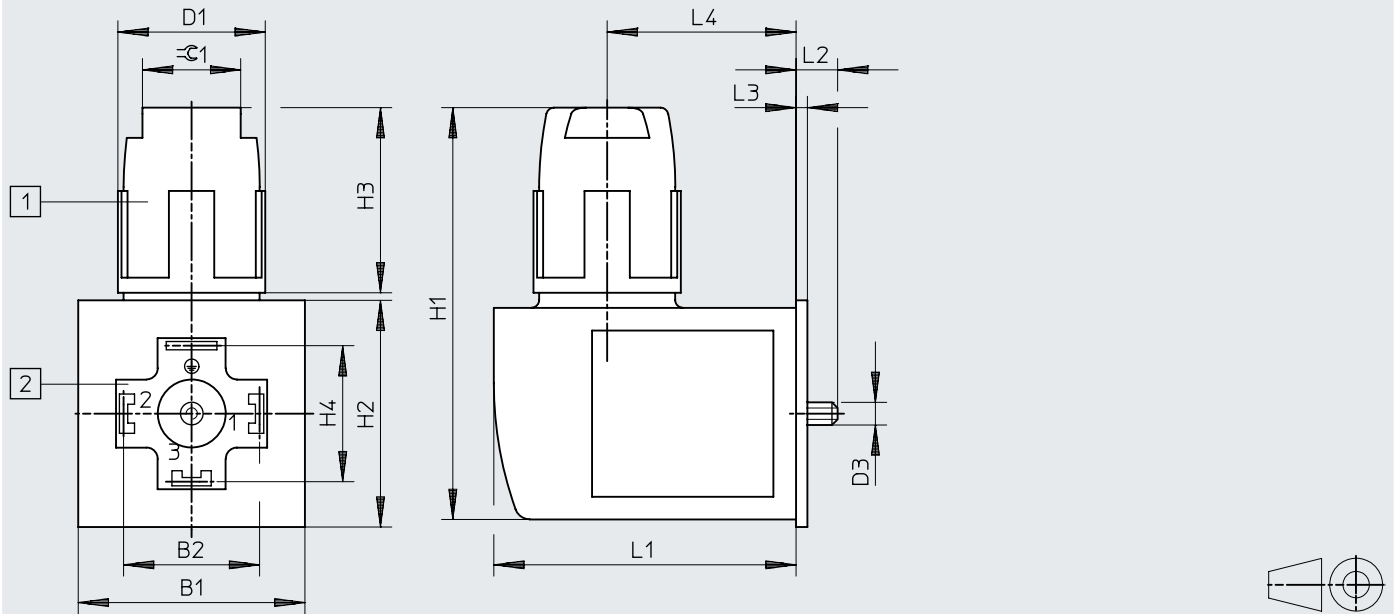


	B1	B2	D1 ∅	D2 ∅	D3 ∅	H1	H2	H3	L1	L2	L3
MSSD-C-4P	29,5	27	23,8	Pg9	M3	49	29,5	42	27	5,5	1,5

## Dimensions

### Dimensions – Plug socket MSSD-C-S-M16, 4-pin

Download CAD data [www.festo.com](http://www.festo.com)



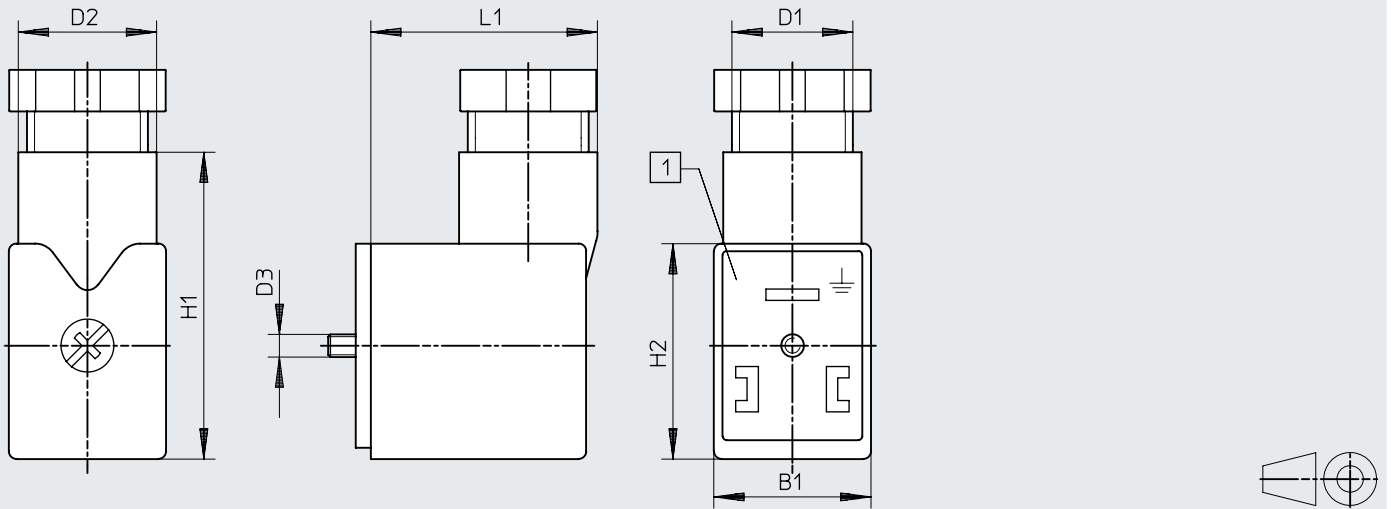
- [1] Union nut M16x1
- [2] Connection side can be rotated 90°

	B1	B2	D1 ∅	D3 ∅	H1	H2	H3	H4	L1	L2	L3	L4	$\approx \varnothing 1$
MSSD-C-S-M16	30	18	19,5	M3	54,5	30	24,5	18	40	5,5	1,5	25	13

## Dimensions

### Dimensions – Plug socket MSSD-V-M16

Download CAD data [www.festo.com](http://www.festo.com)



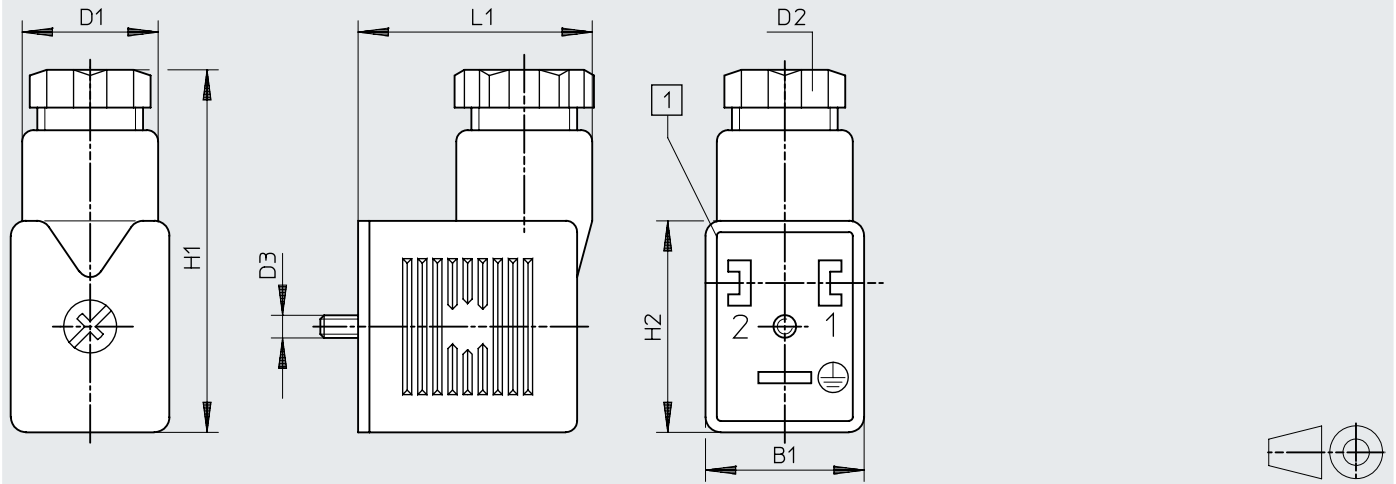
[1] Insert can be rotated 180°

	B1	D1	D2 ∅	D3	H1	H2	L1
MSSD-V-M16	20,8	M16x 1,5	18,3	M3	40,6	28,5	30

## Dimensions

### Dimensions – Plug socket MSSD-V

Download CAD data [www.festo.com](http://www.festo.com)



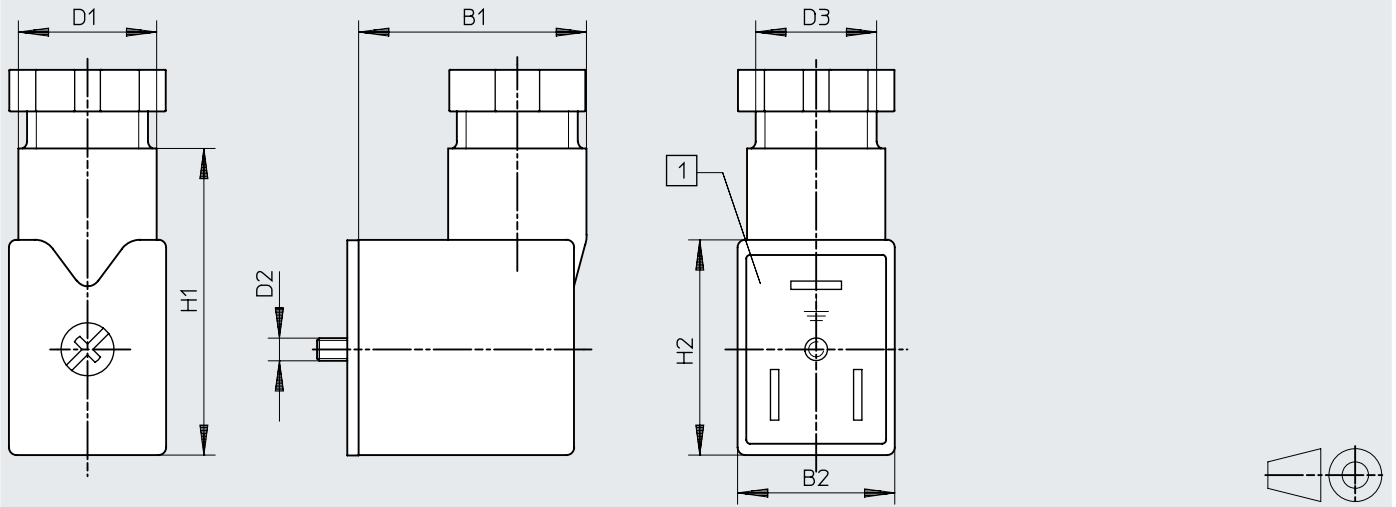
[1] Insert can be rotated 180°

	B1	D1 ∅	D2	D3	H1	H2	L1
MSSD-V	21	18	Pg9	M3	48	28	31

## Dimensions

### Dimensions – Plug socket MSSD-F-M16

Download CAD data [www.festo.com](http://www.festo.com)



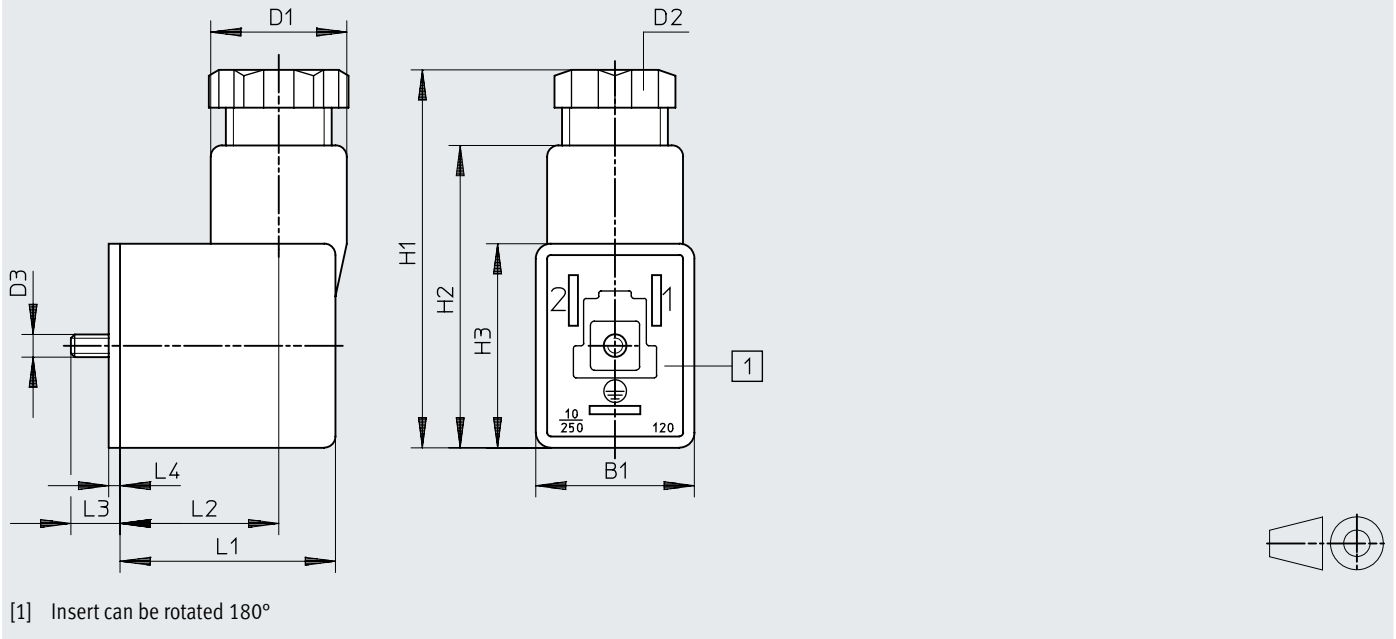
[1] Insert can be rotated 180°

	B1	B2	D1 ∅	D2	D3	H1	H2
MSSD-F-M16	30,2	20,8	18,3	M3	M16x 1,5	40,6	28,5

## Dimensions

### Dimensions – Plug socket MSSD-F

Download CAD data [www.festo.com](http://www.festo.com)

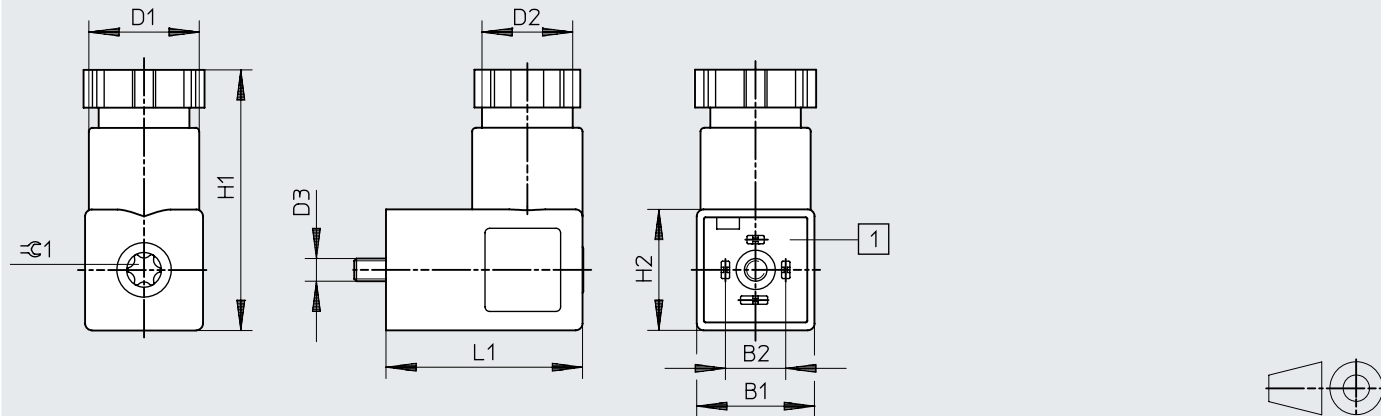


	B1	D1 ∅	D2 ∅	D3	H1	H2	L1	L2	L3	L4
MSSD-F	20,8	18,3	Pg9	M3	~50	40,6	28,5	21	5,5	±0,3

## Dimensions

Dimensions – Plug socket MSSD-EB-M12-24VDC-SD-EX, 3-pin

Download CAD data [www.festo.com](http://www.festo.com)



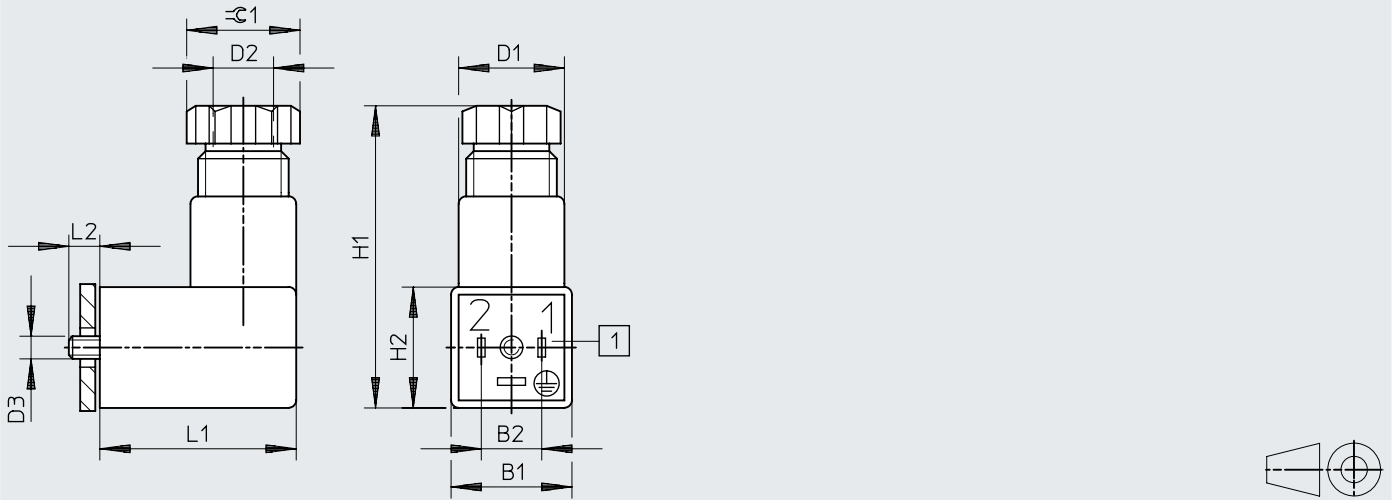
[1] Insert can be rotated 90°

	B1	B2	D1 ∅	D2 ∅	D3 ∅	H1	H2	L1	⊕ 1
MSSD-EB-M12-24VDC-SD-EX	15,6	8	14,6	M12x 1,5	2,5	34,5	16	26	T8

## Dimensions

Dimensions – Plug socket MSSD-EB, 3-pin

Download CAD data [www.festo.com](http://www.festo.com)



[1] Insert can be rotated 90°

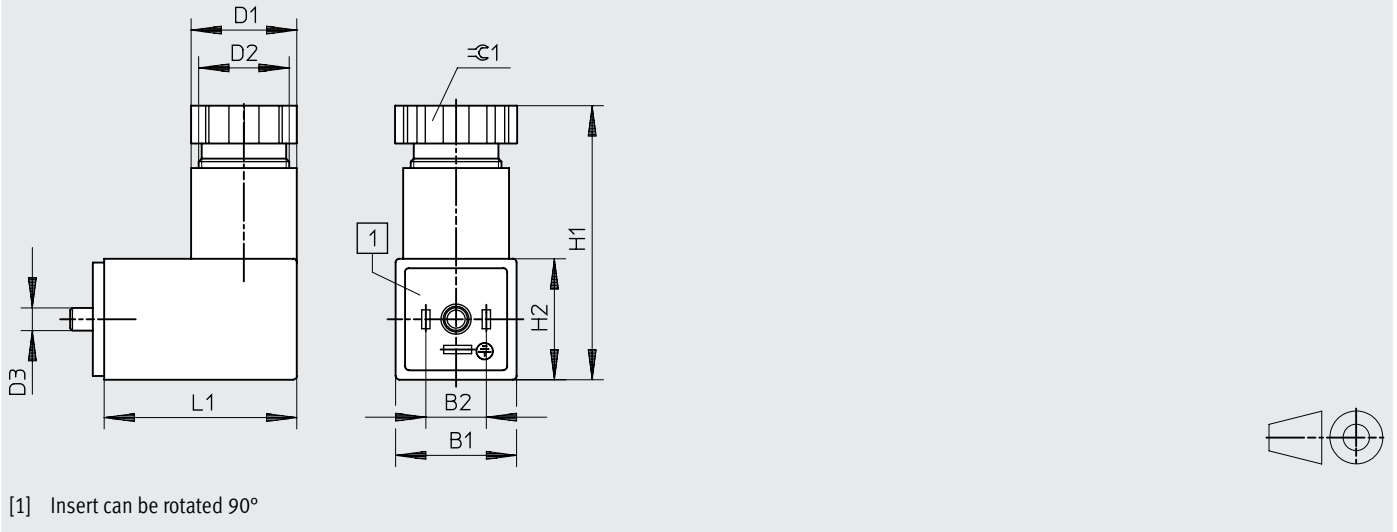
	B1	B2	D1 ∅	D2 ∅	D3 ∅	H1	H2	L1	L2	≈C 1
MSSD-EB	15,5	8	15	Pg7	2,5	40	15,5	26	4,1	13



## Dimensions

### Dimensions – Plug socket MSSD-EB-M12, 3-pin

Download CAD data [www.festo.com](http://www.festo.com)

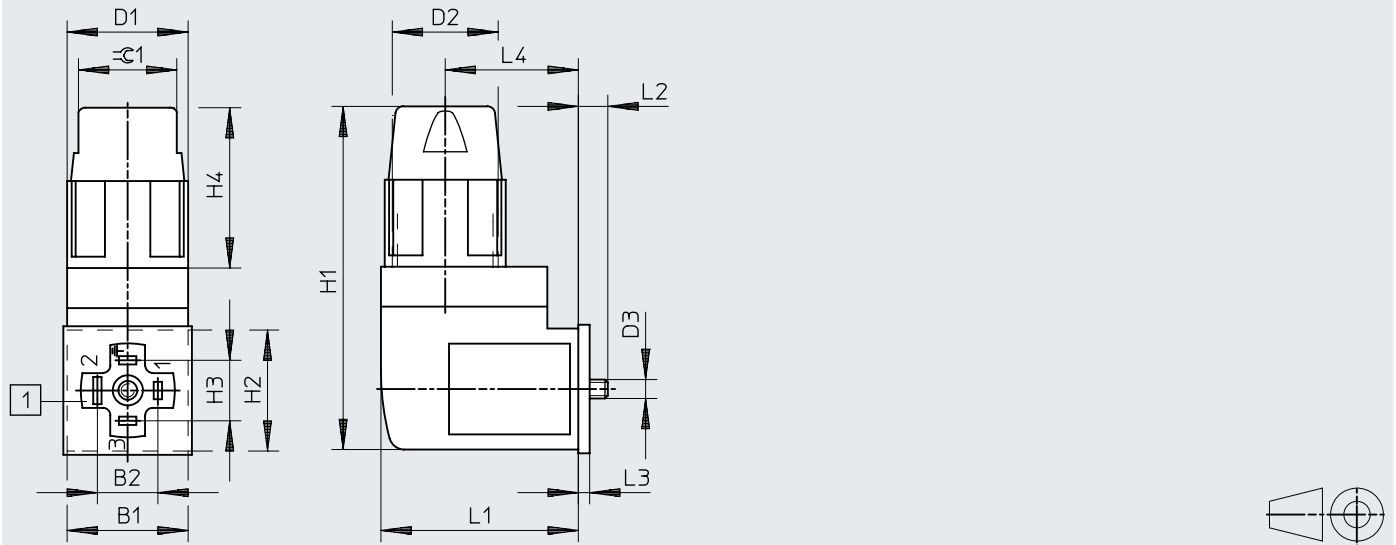


	B1	B2	D1 ∅	D2 ∅	D3 ∅	H1	H2	L1	≈∅ 1
MSSD-EB-M12	15,5	8	15	M12x 1,5	M2,5	33	15,5	25,5	13

## Dimensions

Dimensions – Plug socket MSSD-EB-S-M14, 4-pin

Download CAD data [www.festo.com](http://www.festo.com)



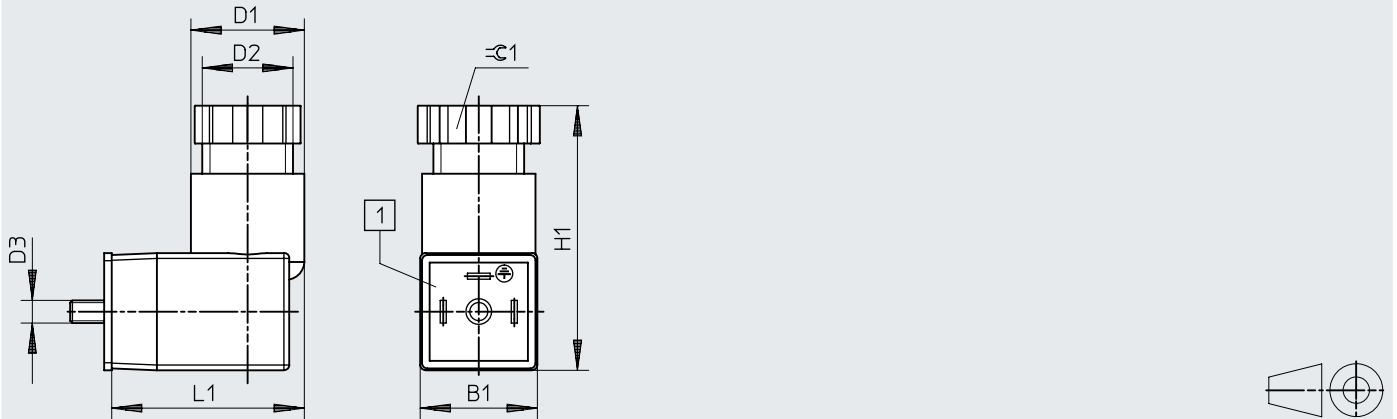
[1] Insert can be rotated 90°

	B1	B2	D1 ∅	D2	D3 ∅	H1	H2	H3	H4	L1	L2	L3	L4	≡C1
MSSD-EB-S-M14	16	8	16	M14x1	2,5	45	16	8	21,2	26	4	1,5	17,6	13

## Dimensions

### Dimensions – Plug socket MSSD-E-M12

Download CAD data [www.festo.com](http://www.festo.com)



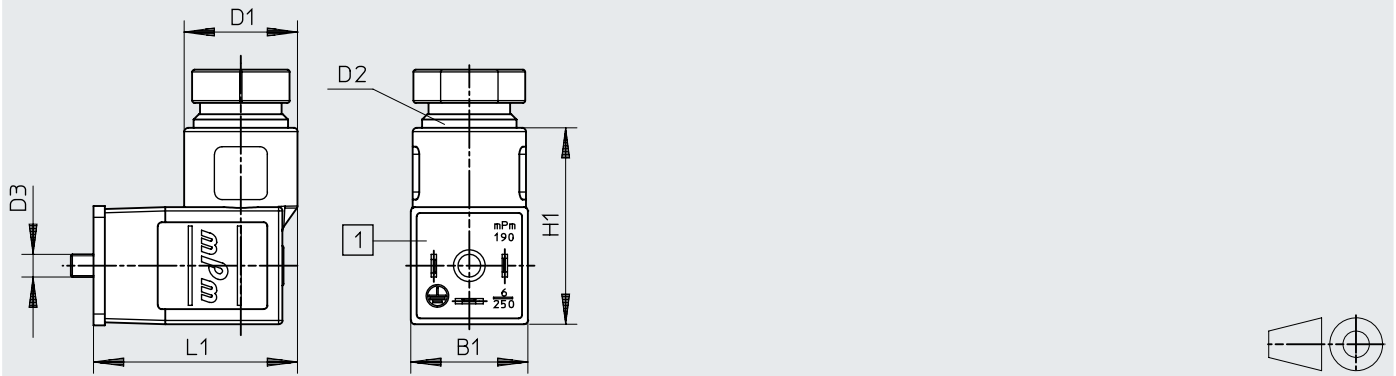
[1] Insert can be rotated 90°

	B1	D1 ∅	D2	D3	H1	L1	≈ 1
MSSD-E-M12	15,5	15	M12x 1,5	M3	33	25,5	13

## Dimensions

### Dimensions – Plug socket MSSD-E

Download CAD data [www.festo.com](http://www.festo.com)



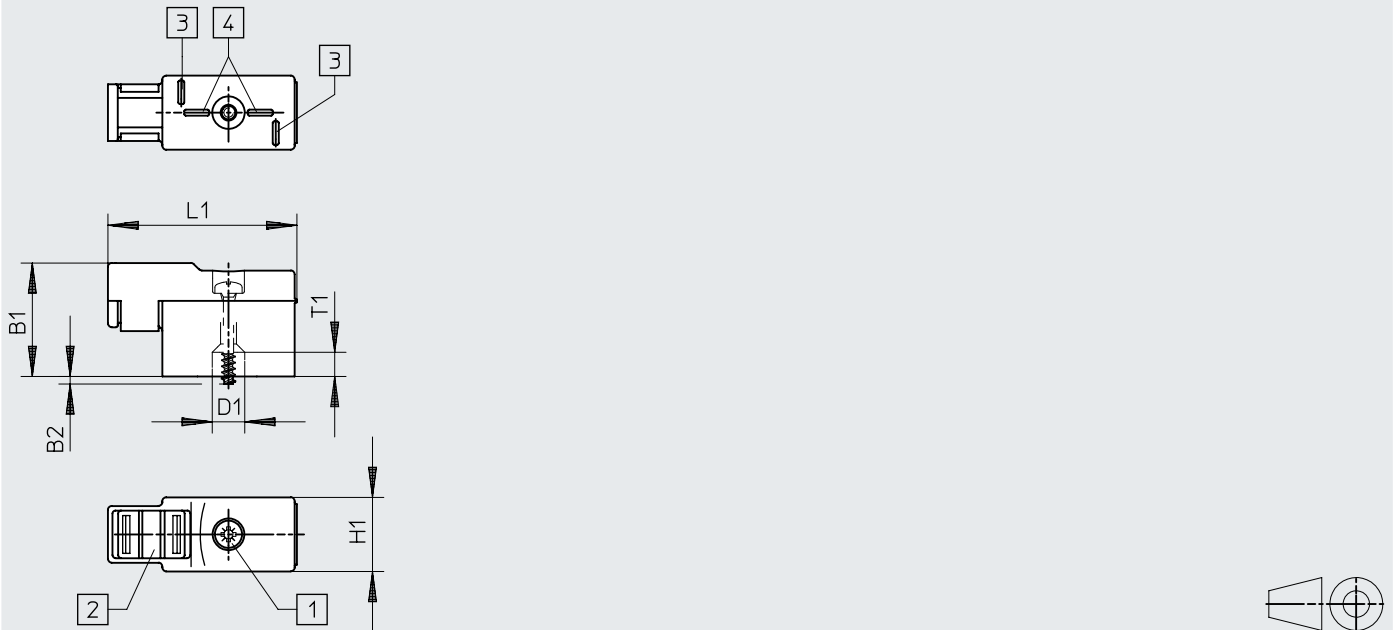
[1] Insert can be rotated 90°

	B1	D1 ∅	D2	D3	H1	L1
MSSD-E	15,5	14	Pg7	M3	24,5	25

## Dimensions

### Dimensions – Plug socket MSSD-ZBZC

Download CAD data [www.festo.com](http://www.festo.com)



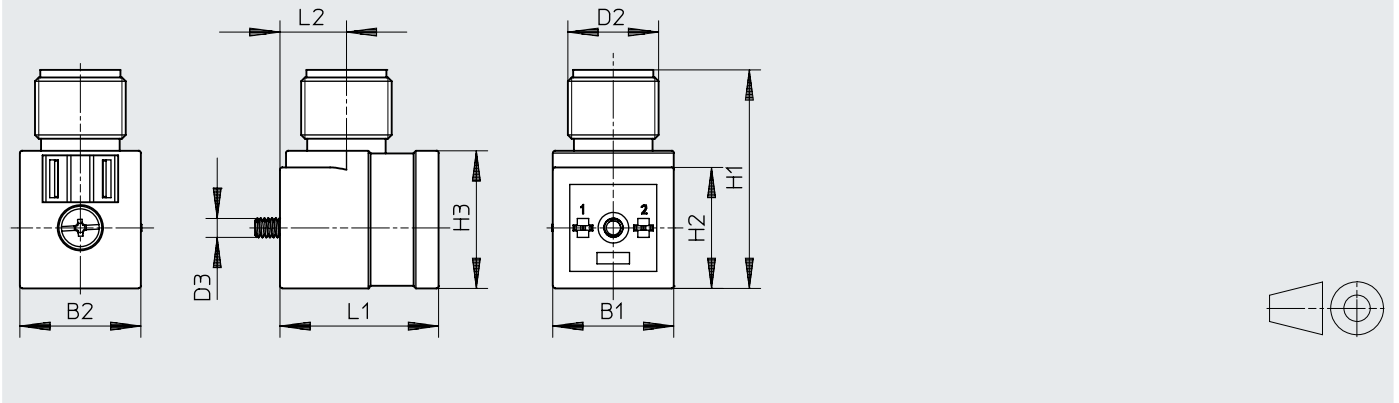
- [1] Retaining screw
- [2] Inscription label IBS-6x10
- [3] Plug pattern for ZB solenoid coil
- [4] Plug pattern for ZC solenoid coil

	B1	B2	D1 ∅	H1	L1	T1	H4	H5	L1	⊖C1
MSSD-ZBZC	15	1	4,3	9,8	25	3,2	35,6	2	14	9

## Dimensions


### Dimensions – Plug socket MSSD-EB-M12-MONO


Download CAD data [www.festo.com](http://www.festo.com)





	B1	B2	D2	D3	H1	H2	H3	L1	L2
MSSD-EB-M12-MONO	16	16	M12x1	M2,5	28,9	16	18,2	21	8,8


## Ordering data


Ordering data – Electrical connection 1 socket type A according to EN 175301-803, 3-pin						
	Cable fitting	Cable diameter	Permissible cable diameter	Product weight	Part no.	Type
	M16		6 ... 8 mm	38 g	539709	MSSD-C-M16
	M20x1.5	8 ... 10 mm		30 g	★ 550067	MSSD-N
	Pg 9	6 ... 8 mm		22 g	34583	MSSD-C

Ordering data – Electrical connection 1 socket type A according to EN 175301-803, 4-pin						
	Cable fitting	Cable diameter	Nominal cross section conductor	Product weight	Part no.	Type
		5.5 ... 8 mm	0.5 ... 1 mm <sup>2</sup>	38 g	192748	MSSD-C-S-M16
	Pg 9	6 ... 8 mm	1.5 mm <sup>2</sup>	22 g	171157	MSSD-C-4P


Ordering data – Electrical connection 1, socket type B to EN 175301-803						
	Cable fitting	Nominal cross section conductor	Connection cross section	Product weight	Part no.	Type
	M16		0.75 mm <sup>2</sup>	35 g	539713	MSSD-V-M16
	Pg 9	1.5 mm <sup>2</sup>		18 g	33295	MSSD-V


Ordering data – Electrical connection 1 socket type B industry standard 11 mm							
	Nominal cross section conductor	Cable fitting	Electrical connection 2, connector system	Degree of protection	Product weight	Part no.	Type
	0.75 mm <sup>2</sup>	M16x1.5	Screw terminal	IP65	35 g	539710	MSSD-F-M16
	1.5 mm <sup>2</sup>	Pg 9			17 g	★ 34431	MSSD-F


Ordering data – Electrical connection 1 socket type C in accordance with EN 175301-803, 3-pin						
	Connection cross section	Permissible cable diameter	Product weight	Part no.	Type	
	0.25 ... 0.5 mm <sup>2</sup>	4 ... 6 mm	11 g	570367	MSSD-EB-M12-24VDC-SD-EX	
	0.75 mm <sup>2</sup>	7.5 mm		★ 151687	MSSD-EB	
	1.5 mm <sup>2</sup>	4 ... 6 mm		539712	MSSD-EB-M12	


Ordering data – Electrical connection 1 socket type C in accordance with EN 175301-803, 4-pin					
	Cable diameter	Nominal cross section conductor	Product weight	Part no.	Type
	4 ... 6 mm	0.25 ... 0.5 mm <sup>2</sup>	17 g	192745	MSSD-EB-S-M14

## Ordering data

Ordering data – Electrical connection 1 socket type C Industrial standard 9.4 mm						
	Cable fitting	Cable diameter	Permissible cable diameter	Product weight	Part no.	Type
	M12		4 ... 6 mm	11 g	<b>539711</b>	<b>MSSD-E-M12</b>
	Pg7	6 ... 8 mm		8 g	<b>14098</b>	<b>MSSD-E</b>

Ordering data – Electrical connection 1 socket, plug pattern ZB/ZC					
	Nominal operating voltage DC	Nominal cross section conductor	Product weight	Part no.	Type
	24 V	0.22 ... 0.34 mm <sup>2</sup>	11 g	<b>185521</b>	<b>MSSD-ZBZC</b>

Ordering information – Adapter					
	Electrical connection 1	Electrical connection 2	Product weight	Part no.	Type
	Socket, to EN 175301-803, type C	Straight plug connector, M12x1, 2-pin, A-coded	13.18 g	<b>188024</b>	<b>MSSD-EB-M12-MONO</b>

Ordering data – MSSD-C-TY-24DC				
	Degree of protection	Ambient temperature	Part no.	Type
	IP65, To IEC 60529	-40 ... 90 °C	<b>177617</b>	<b>MSSD-C-TY-24DC</b>