

# Process Automation



For more than 100 years, Festo has led the way in factory and process automation—delivering innovative, cross-industry solutions that create true efficiencies and economies of scale. Our comprehensive portfolio spans every level of the automation pyramid, from field devices to the operating level, giving customers a complete, single-source solution.

As we continue to expand and adapt our technologies to meet evolving industry demands, Festo remains the reliable partner you can count on. Let us be your partner and help you find the right solution for your needs.

## Quarter-turn automation

**Positioners for proportional control**  
CMSX Basic    CMSH Advanced

**Quarter-turn actuators**  
DFPD Standard    Epoxy coated

**Ball valves**  
VZBE/VZBA Threaded    VZBF Flanged    VZBD Sanitary clamp/weld

**Limit switches for position feedback**  
SRBC Aluminum    SRBK Polymer    SRBE Ex-proof    SRBG/SRBI Puck

**NAMUR pilot valves**  
VSNC Standard    Ex-proof

**Butterfly valves**  
VZAV Standard    VZAF Specialty

## Process automation configurators

Need a complete solution? Let us engineer and assemble one for you! Our online configurators make planning, procurement and commissioning of automated ball and butterfly valves significantly easier and more cost effective.

[festo.com/papproducts](https://www.festo.com/papproducts)



KVZB



KVZA



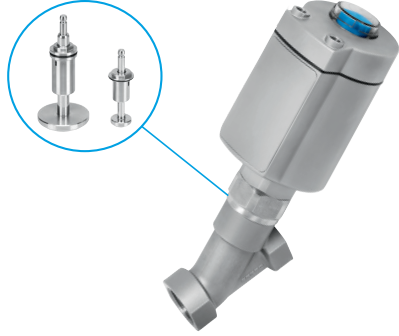
KDFP

## Pneumatic process valves

### Angle seat valve - VZXA

Versatile and suitable for multiple applications

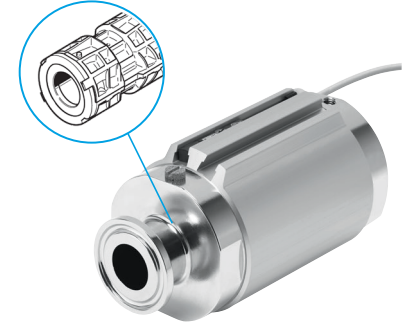
- Unique interface and seal system for easy maintenance
- Normally open/closed and double acting
- Threaded, tri-clamp, and sanitary weld



### Pinch valve - VZQA

Ideal for filling and dosing applications

- Seal cartridges are quick and easy to replace
- Compact design with full bore flow
- FDA compliant materials



## Solenoid media valves

### Forced pilot VZWF

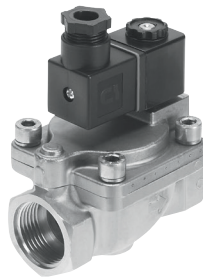
No differential pressure required



- Suitable for low vacuum
- Multiple diaphragm materials

### Piloted VZWM

Differential pressure required



- Low power consumption
- Simple, cost effective design

### Direct acting VZWD

High pressures with low flow rate



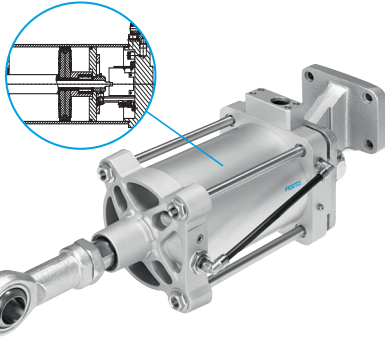
- Orifice sizes of 1-6 mm
- Suitable for low vacuum

## Specialty products

### Linear positioning cylinder - DFPI

Proportional control for linear applications

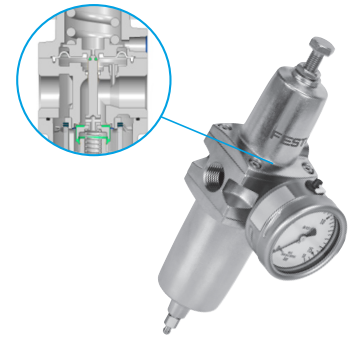
- Integrated displacement encoder and positioner
- ISO 15552 compatible mounting accessories
- High IP rating for harsh conditions (IP69K)



### 316 SS Filter regulator PCRP

Perfect for low temperature and washdown environments

- Rolling diaphragm for longer lifetime
- Option for manual or automatic drain
- Available down to -60°C



Printing, Paper and Converting



Food and Beverage



Water Technology



Electronics and Assembly



Biotech/Pharma



Mining



Chemical



Automotive



Download our complete process automation brochure

Visit our website to view our complete product offering

