

# Pressure sensor SPAN

FESTO

Extremely compact!



IO-Link

## Highly versatile!

### Highlights

- Just 30 x 30 mm
- Electrical compatibility with all controllers
- Wide range of variants in pressure range up to 16 bar
- Test report available
- IO-Link®
- Tamper protection
- Attractive price, high performance

The attractively priced pressure sensor SPAN is amazingly flexible thanks to switchable electrical outputs and a very wide range of options for pressure measurement ranges and pneumatic connections. The compact design of just 30 x 30 mm, the range of variants and the user-friendly menu navigation make the sensor suitable for every kind of application.

### Flexible and highly versatile

Thanks to the intuitive switching options for the electrical outputs:

- PNP/NPN
- Normally closed/normally open
- Current/voltage output

### Incredibly easy to commission

The SPAN user-friendly menu navigation makes commissioning incredibly easy and quick. The copy function means that additional SPAN sensor are even easier to commission.

### Very clear to read

The high-contrast white-on-blue display is easy to see:

- Two-line alphanumeric display
- Large-scale status feedback – the entire display turns red

### More productive with optimum pressure measurement

SPAN measures the pressure of gaseous media. The following functions are available:

- System monitoring (pressure is available)
- Pressure monitoring at the pressure regulator (pressure in setpoint range)
- Vacuum (part picked up)
- Leak testing (pressure drop over time)
- Object sensing (backpressure present)

# Pressure sensor SPAN

Technical data												
<b>Pressure measurement ranges [bar]</b>												
-1 ... 1	-1 ... 10	0 ... 0.25	0 ... 0.5	0 ... 1	0 ... 2	0 ... 6	0 ... 10	0 ... 12	0 ... 16	0 ... -0.25	0 ... -0.5	0 ... -1
<b>Pneumatic connections</b>												
G 1/8 male thread	G1/8 female thread	R 1/8 male thread	1/8 NPT male thread	M5 female thread	QS4 push-in connector 4 mm							
<b>Electrical outputs</b>												
Output 1: PNP/NPN/IO-Link® Output 2: PNP/NPN/0 ... 10 V/1 ... 5 V/4 ... 20 mA						Output 1/2: PNP/NPN switchable						
<b>Electrical connection</b>												
Plug L1 (M8 via electrical adapter)												
<b>Accessories</b>												
Wall mounting, mounting bracket, front panel installation kit, protective cover, connecting cable												

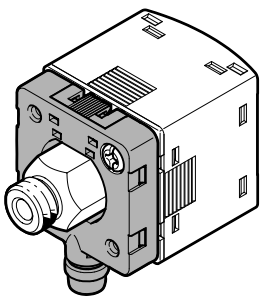
## Benefits of the pressure sensor SPAN

### Reliable and secure

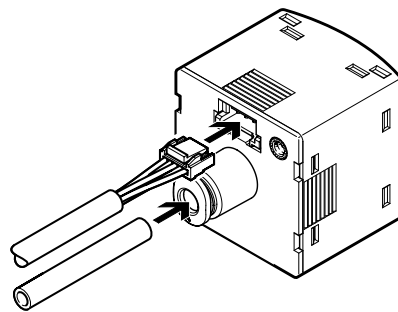
- Individual numerical code lock as tamper protection; device setting is also displayed without entering the code
- Remote maintenance and parameterisation via IO-Link®

### Versatile and easy

- Quick and easy setting of the pressure switching point via teach-in
- Min/max value memory for monitoring compressed air
- Protection class IP40
- Switching between pressure units (bar, kPa, MPa, psi, mmHg, inchHg, inchH2O, kgf/cm<sup>2</sup>)
- Weight-reduced variant QS4 with integrated tubing connection



Electrical adapter L1 on M8 (example for downward outlet direction)



Connection in 2 steps:  
insert L1 plug, insert tube