

Position transmitter SMAT-8M

FESTO



Compact and powerful

Highlights

- Compact design
- Analogue output 0 ... 10 V
- Integrated out-of-range detection

As a position transmitter that has the same size as a proximity switch, the SMAT-8M is designed for all applications where space is restricted. Its compact design opens up new areas of application, particularly for compact cylinders and grippers. The piston position is indicated by an analogue voltage signal.

Large on performance

Thanks to its small size, the SMAT-8M can be securely installed on grippers and compact cylinders, flush with the slot. Simply insert it into the slot from above and fasten it with a 1.5 mm internal hex. The reduced weight is particularly impressive in moving applications with grippers. The detection range of up to 52 mm enables switching points to be freely selected for gripping, clamping, pressing, tensioning applications and many more.

Flexible areas of application

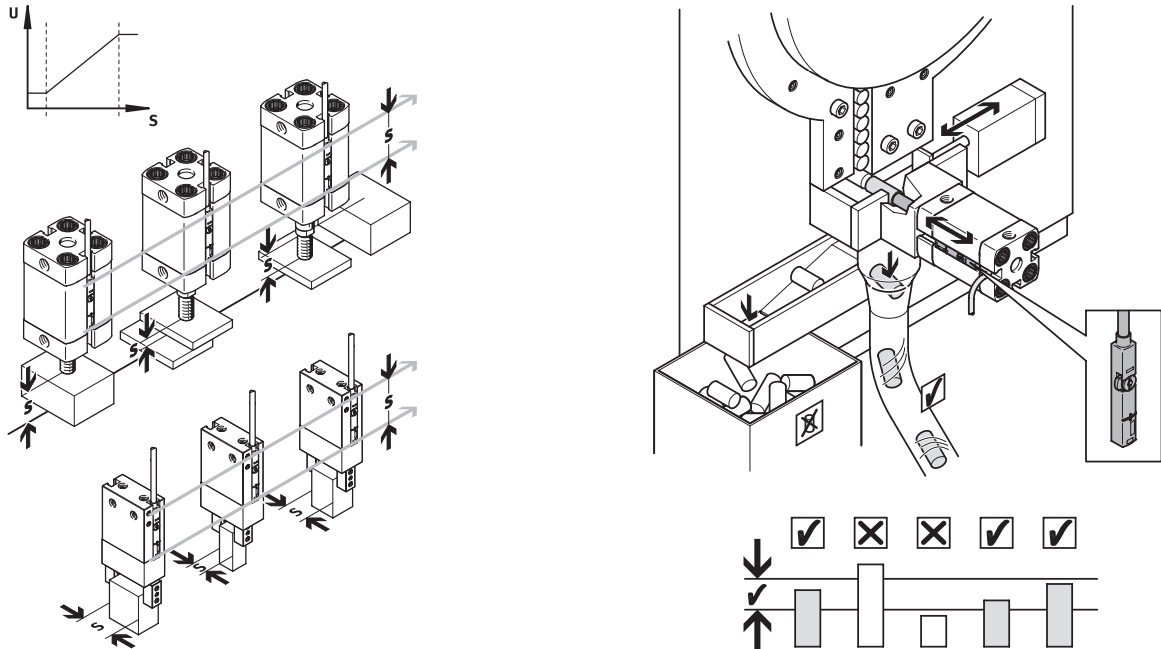
The SMAT-8M fits on virtually all Festo drives with T-slot and you can select your own installation direction. Thanks to the 0 ... 10 V analogue output the position transmitter can be connected to analogue inputs without the need for accessories.

Reliable functioning

If the functional range is exceeded, the integrated out-of-range detection provides accurate information. The notification is provided by analogue signal and LED. The contactless measuring principle guarantees sensing without wear.

Position transmitter SMAT-8M

Application examples



Areas of application

The compact design of the position transmitter opens up new areas of application with compact cylinders and grippers such as for pressing in and clamping tasks or good/bad selection.



Technical data

Typ	SMAT-8M-U-E-0,3-M8D	SMAT-8M-U-E-2,5-OE
Power supply	15 ... 30 V DC	
Measuring principle	Contactless, magnetic	
Repetition accuracy	0.2 mm	
Measuring range	Up to 52 mm depending on the drive	
Output	0 ... 10 V	
Electrical connection	0.3 m cable with Plug M8, 4-pin, rotatable thread	2,5 m cable with open end
Degree of protection	IP65, IP68	

Ordering data

Electrical connection	Part no.	Type
0.3 m cable with Plug M8, 4-pin, rotatable thread	553744	SMAT-8M-U-E-0,3-M8D
2,5 m cable with open end	8200152	SMAT-8M-U-E-2,5-OE